



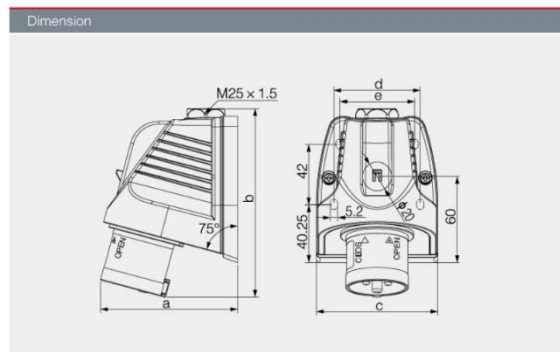
Product Code

VP32481



16A 3P +E Angled Wall Socket IP44

★ Rated current:16A
★ Rated voltage: 380-415V
★ No. of poles:3P +E
★ Protection degree: IP44
★ Housing material: Flame Retardant PA6 RoHS Reach Contact: nickel-plated brass RoHS Reach
★ Standards: IEC60309-1, IEC60309-2
★ Certificates: S,CB,CE,TUV,ISO9001:2008,RoHS,REACH



Current	16A			32A			
	Pole	3	4	5	3	4	5
a		117	117	118.5	120	120	119
b		142	142.5	114.5	156	156	158
c		84.4	84.4	84.4	84.4	84.4	84.4
d		60	60	60	60	60	60
e		52	52	52	52	52	52
Cable size(mm ²)		1.5-4			2.5-10		

